

SEFLID

NOVA

Air Supplied Blast Helmet



AIRBLAST



SAFETY ABOVE ALL

The high standards required of modern work environments make onsite health and safety a priority. Aside from the obvious injuries to valued people, there are the potential costs of business interruption, non-compliance, and the risk to company reputation to be considered.

TOUGHEST & MOST COMFORTABLE

The NOVA has been tested and approved to Respiratory Protection standards worldwide including NIOSH, CE and AS/NZS. NOVA has been designed specifically for blasting, by blasting experts.

COMFORTABLE KIT - CLEAR THINKING

A comfortable respirator system dramatically reduces worker fatigue and increases productivity. The NOVA is the most comfortable blasting helmet available.

Lightweight pillow foam padding provides maximum comfort and reduces outside noise to a minimum. A soft breathable inner cape allows perfect airflow while keeping out contaminants. The advanced Air Duct Distribution System creates a constant flow of breathable air, prevents fogging and keeps workers cool. The large, double lens offers optimum vision without irritating side glare. Every feature of the NOVA has been designed, manufactured and tested to ensure workers' safety and comfort under even the most demanding conditions.

The Tear off Lenses system is a unique "FIT AND SAVE" system of pre-folded tabs. This means workers can quickly tear off just one, layered, lens at a time. Contractors have reported a time saving of over 45 minutes a day per blaster using the "FIT AND SAVE" system, and a resulting increase in productivity.

SEFLID, une source unique pour tous vos besoins

**Pulvérisation
& Marquage**



Basse pression



Air assisté



Airless

**Transfert
& Extrusion**



Cuves sous pression



Agitateurs



Pompes à membranes



Pompes à piston

Dosage



Pompe péristaltique



Pompe à piston



Applicateur - Doseur



Pompe à engrenages

Cabines



Sèches



Table d'aspiration



Rideau eau



Filtres cabines

**Electro
Poudre et liquide**



Pulvérisation



Cabines manu et auto



Electro liquide

Sablage



Sableuses



Protection



Accessoires

**Etudes
Conceptions spéciales**



Pulvérisation



Transfert



Dosage



Robotisation

SEFLID

Société d'Équipement pour Fluide Industriel

15, Route Nationale – OTTERSWILLER – 67700 SAVERNE

Tél. ☎+33 03 88 91 84 84 – Fax. ☎+33 03 88 71 25 03

Visitez notre site Web : www.seflid.com

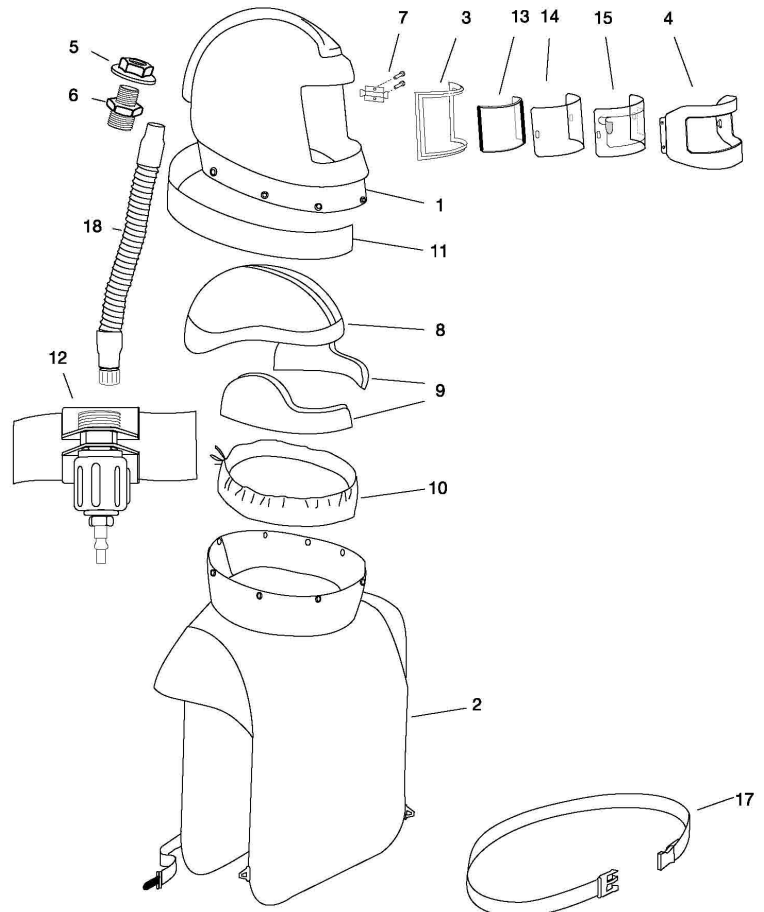


NOVA Assembly

Part no.	Description
4700000	Nova Air Supplied Blast Helmet, complete with - In-helmet low flow warning device - Breathing air tube assy - Adjustable flow control valve and nylon belt - Nylon cape - CE approved to EN 271

NOVA Parts List

Item	Part no.	Description
01	4700100	Helmet shell
02	4700500	Nylon cape c/w inner bib
03	4702400	Window frame gasket
04	4702500	Visor with hinge and screws
05/06	4702700	Air inlet assy
07	4702800	Visor latch and screws
08	4701100	Polystyrene helmet liner (medium)
09	4701700	Sidewings (medium)
10	4701000	Inner bib
11	4705100	Cape cover band
12	4601600	Flow control valve and belt
13	4703600	Inner lens (pack of 10)
14	4703800	Outer lens (pack of 50)
15	4703700	Tear-off lens (pack of 50)
17	4601700	Belt with buckles
18	4601400	Breathing air tube



NOVA Optional Accessories

Part no.	Description
4320001	CCT Climate Control Tube complete with belt and regulator. Fits directly to breathing tube of Nova Blast Helmet to supply a continuous flow of cool or warm compressed air to your blast helmet.