

1/4" DIAPHRAGM PUMP 1:1 RATIO (NON-METALLIC)



**READ THIS MANUAL CAREFULLY BEFORE INSTALLING,
OPERATING OR SERVICING THIS EQUIPMENT.**

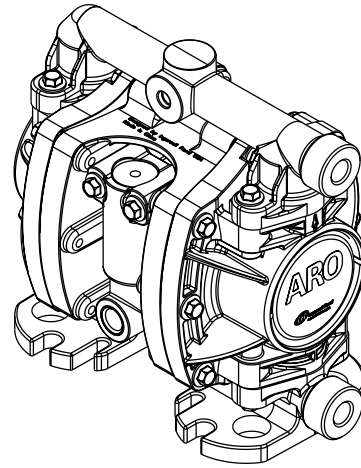
It is the responsibility of the employer to place this information in the hands of the operator. Keep for future reference.

PUMP DATA

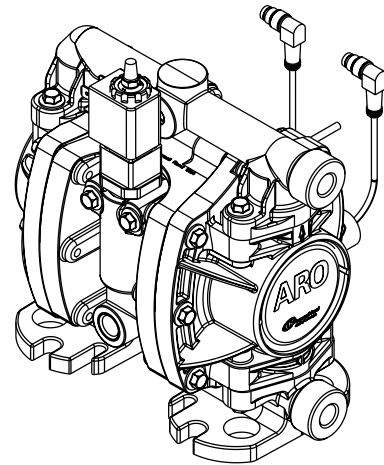
| | |
|--|---|
| Models | see Model Description Chart on page 2 for "-XXX" options |
| Pump Type . . . | Non-Metallic Air Operated Double Diaphragm |
| Material | see Model Description Chart |
| Weight | Polypropylene 2.86 lbs (1.30 kgs) PVDF 3.88 lbs (1.76 kgs) Acetal 3.52 lbs (1.60 kgs) |
| Maximum Air Inlet Pressure | 125 psig (8.6 bar) |
| Minimum Air Inlet Pressure | 10 psig (0.69 bar) |
| Maximum Outlet Pressure | 125 psig (8.6 bar) |
| Maximum Flow Rate | 5.3 gpm (20 lpm) |
| Maximum Material Inlet Pressure . . . | 10 psig (0.69 bar) |
| Displacement / Cycle @ 125 p.s.i.g .. | 0.019 gal / 0.072 ltrs |
| Maximum Particle Size | 1/16" dia.(1.6 mm) |
| Maximum Temperature Limits (diaphragm / ball / seat material) | |
| Acetal | 10° to 180° F (-12° to 82° C) |
| E.P.R. / EPDM | -60° to 280° F (-51° to 138° C) |
| Kynar® PVDF | 10° to 200° F (-12° to 93° C) |
| Hytrel® | -20° to 150° F (-29° to 66° C) |
| Neoprene | 0° to 200° F (-18° to 93° C) |
| Nitrile® | 10° to 180° F (-12° to 82° C) |
| Polypropylene | 35° to 175° F (2° to 79° C) |
| Viton® | -40° to 350° F (-40° to 177° C) |
| Santoprene® | -40° to 225° F (-40° to 107° C) |
| PTFE | 40° to 225° F (4° to 107° C) |
| Dimensional Data | see page 10 |
| Noise Level @ 70 p.s.i., 60 c.p.m. | 62.3 db(A)① |

① The pump sound pressure levels published here have been updated to an Equivalent Continuous Sound Level (L_{Aeq}) to meet the intent of ANSI S1.13-2005, CAGI-PNEUROP S5.1.

Mounting Adapter Plate Optional Accessory Kit (24123879) available. Please contact your nearest **ARO / Ingersoll Rand** customer service or distributor for details.



Model PD01X



Model PE01X

Figure 1

Pulvérisation

Marquage & Collage

> CONVENTIONNELLE

> AIRLESS

> HOT MELT

> BASSE PRESSION

> POUDRAGE

> ENROBAGE

> AIR ASSISTE

> ELECTROSTATIQUE



Peintures, encres, colles, mastics, produits chimiques, alimentaires, huiles, graisses...



Manuel

Automatique



Electro liquide



Electro poudre

Transfert & Extrusion

Eau, carburants, boues, chocolat, poudre, alcool, acides, solvants, époxy, silicones...



Cuves avec / sans pression

Capacité de 1 à 500 litres en standard
Exécution acier galvanisé ou inox
Nombreuses options disponibles



Pompes à membranes

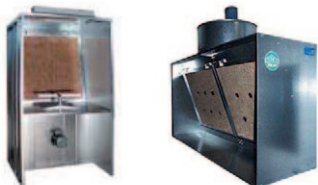
Débit de 20 à 1042 l/min
Large choix de corps, sièges,
billes et membranes



Pompes à piston

Rapport de pression
de 1:1 à 71:1
Exécution acier, acier traité ou inox

Cabines



Sèches / Table encollage



Rideau eau



Filtres / Vernis pelable

Dosage



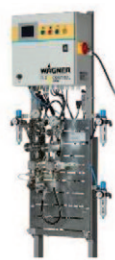
Pompes péristaltiques
Pompage sans contamination
du fluide et de la pompe



Pompes à engrenages
Dosage de haute précision
Idéal pour le dosage
multi-composants



Applicateur - Doseur
Dépose de produit liquides
ou pâteux
Mono ou bi-composants



**Unité
de dosage**
Dosage et mélange
multi composants

Sablage



Sableuses
De 17 à 200l



**Protection
& EPI**



Accessoires

Accessoires



Rallonges

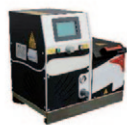


**Régénérateurs
de solvants**



**Laveurs
de pistolets**

Hot Melt



Fondoirs



**Pistolets
automatiques**



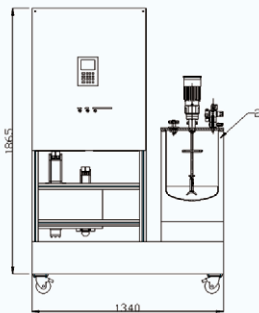
**Pistolets
manuels**



Flexibles



Etudes & Conceptions spéciales



Notre savoir va au-delà des produits standards,
vos besoins et demandes spécifiques nous intéressent

Notre équipe composée d'ingénieurs en mécanique, automatisme et de
techniciens compétents vous propose un service complet :

ETUDE - REALISATION - MISE EN ROUTE - FORMATION*
ASSISTANCE TECHNIQUE - SERVICE APRES VENTE

Vous avez un projet ? Contactez-nous : la pré étude est gratuite !

* SEFLID est centre de formation agréé

SEFLID

Société d'Équipement pour Fluide Industriel

15, Route Nationale - OTTERSWillER - 67700 SAVERNE
Tél. +33 03 88 91 84 84 – Fax. +33 03 88 71 25 03

Visitez notre site Web : www.seflid.com

WAGNER

**WALTHER
PILOT**

IR ARO
Ingersoll Rand

yamada

MODEL DESCRIPTION CHART

Model Code Explanation

| | | | | | | | | | | | | | | | |
|--|------|---|---|---|---|---|---|---|---|---|---|---|---|---|---|
| Example: | PX01 | X | - | X | X | X | - | X | X | X | - | A | X | X | X |
| Model Series | | | | | | | | | | | | | | | |
| PD01- Standard Pump | | | | | | | | | | | | | | | |
| PE01- Electronic Interface | | | | | | | | | | | | | | | |
| Center Body Material | | | | | | | | | | | | | | | |
| E- Groundable Polypropylene | | | | | | | | | | | | | | | |
| F- Polypropylene with Leak Failure Detection | | | | | | | | | | | | | | | |
| P- Polypropylene | | | | | | | | | | | | | | | |
| Connection | | | | | | | | | | | | | | | |
| H- Hybrid 1/4" NPT / BSP | | | | | | | | | | | | | | | |
| Fluid Caps / Manifold Material | | | | | | | | | | | | | | | |
| D- Groundable Acetal | | | | | | | | | | | | | | | |
| K- Kynar PVDF | | | | | | | | | | | | | | | |
| P- Polypropylene | | | | | | | | | | | | | | | |
| Hardware Material | | | | | | | | | | | | | | | |
| S- Stainless Steel | | | | | | | | | | | | | | | |
| Seat / Spacer Material | | | | | | | | | | | | | | | |
| D- Acetal | | | | | | | | | | | | | | | |
| K- Kynar PVDF | | | | | | | | | | | | | | | |
| P- Polypropylene | | | | | | | | | | | | | | | |
| 0- Polypropylene (Flex Check Spacer) | | | | | | | | | | | | | | | |
| 1- Acetal (Flex Check Spacer) | | | | | | | | | | | | | | | |
| 2- PVDF (Flex Check Spacer) | | | | | | | | | | | | | | | |
| Check Material | | | | | | | | | | | | | | | |
| A- Santropene | | | | | | | | | | | | | | | |
| C- Hytrel | | | | | | | | | | | | | | | |
| G- Nitrile | | | | | | | | | | | | | | | |
| J- Nitrile (flex check only) | | | | | | | | | | | | | | | |
| K- EPR (flex check only) | | | | | | | | | | | | | | | |
| L- Viton (flex check only) | | | | | | | | | | | | | | | |
| N- Neoprene (flex check only) | | | | | | | | | | | | | | | |
| T- PTFE | | | | | | | | | | | | | | | |
| Diaphragm / O-Ring Material | | | | | | | | | | | | | | | |
| A- Santoprene | | | | | | | | | | | | | | | |
| C- Hytrel | | | | | | | | | | | | | | | |
| G- Nitrile | | | | | | | | | | | | | | | |
| T- PTFE | | | | | | | | | | | | | | | |
| Revision | | | | | | | | | | | | | | | |
| A- Revision | | | | | | | | | | | | | | | |
| Specialty Code 1 (Blank if no Speciality Code) | | | | | | | | | | | | | | | |
| A- Solenoid 120VAC, 110VAC AND 60VDC | | | | | | | | | | | | | | | |
| B- Solenoid 12VDC, 24VAC and 22VAC | | | | | | | | | | | | | | | |
| C- Solenoid 240VAC, 220VAC AND 120VDC | | | | | | | | | | | | | | | |
| D- Solenoid 24VDC, 48VAC and 44VAC | | | | | | | | | | | | | | | |
| G- Solenoid 12VDC ATEX Zone 1 | | | | | | | | | | | | | | | |
| H- Solenoid 24VDC ATEX Zone 1 | | | | | | | | | | | | | | | |
| K- Solenoid 220VAC ATEX Zone 1 | | | | | | | | | | | | | | | |
| N- Solenoid with no Coil | | | | | | | | | | | | | | | |
| 0- Standard Valve Block (No Solenoid) | | | | | | | | | | | | | | | |
| Specialty Code 2 (Blank if no Speciality Code) | | | | | | | | | | | | | | | |
| E- End of stroke feedback / cycle sensing (with M12 Circular Connector) + Leak Detection | | | | | | | | | | | | | | | |
| F- End of stroke feedback / cycle sensing (with M12 Circular Connector) | | | | | | | | | | | | | | | |
| L- Leak Detection | | | | | | | | | | | | | | | |
| N- End of stroke feedback / cycle sensing (no Connector) + Leak Detection | | | | | | | | | | | | | | | |
| P- End of stroke feedback (No Connector) | | | | | | | | | | | | | | | |
| 0- No option | | | | | | | | | | | | | | | |
| Special Testing | | | | | | | | | | | | | | | |

For Special Testing options, please contact your nearest **Ingersoll Rand** Customer Service Representative or Distributor.

NOTICE: All possible options are shown in the chart, however, certain combinations may not be recommended. Consult a representative or the factory if you have questions concerning availability.

OPERATING AND SAFETY PRECAUTIONS

READ, UNDERSTAND, AND FOLLOW THIS INFORMATION TO AVOID INJURY AND PROPERTY DAMAGE.



EXCESSIVE AIR PRESSURE
STATIC SPARK



HAZARDOUS MATERIALS
HAZARDOUS PRESSURE

WARNING EXCESSIVE AIR PRESSURE. Can cause personal injury, pump damage or property damage.

- Do not exceed the maximum inlet air pressure as stated on the pump model plate.
- Be sure material hoses and other components are able to withstand fluid pressures developed by this pump. Check all hoses for damage or wear. Be certain dispensing device is clean and in proper working condition.

WARNING STATIC SPARK. Can cause explosion resulting in severe injury or death. Ground pump and pumping system.

- PX01X-HDS-XXX are Groundable Acetal pumps: Use the pump ground lug provided. Connect to a 12 ga. (minimum) wire (kit 66885-1 is included) to a good earth ground source.
- Sparks can ignite flammable material and vapors.
- The pumping system and object being sprayed must be grounded when it is pumping, flushing, recirculating or spraying flammable materials such as paints, solvents, lacquers, etc. or used in a location where surrounding atmosphere is conducive to spontaneous combustion. Ground the dispensing valve or device, containers, hoses and any object to which material is being pumped.
- Secure pump, connections and all contact points to avoid vibration and generation of contact or static spark.
- Consult local building codes and electrical codes for specific grounding requirements.
- After grounding, periodically verify continuity of electrical path to ground. Test with an ohmmeter from each component (e.g., hoses, pump, clamps, container, spray gun, etc.) to ground to insure continuity. Ohmmeter should show 0.1 ohms or less.
- Submerge the outlet hose end, dispensing valve or device in the material being dispensed if possible. (Avoid free streaming of material being dispensed.)
- Use hoses incorporating a static wire.
- Use proper ventilation.
- Keep inflammables away from heat, open flames and sparks.
- Keep containers closed when not in use.

WARNING Pump exhaust may contain contaminants. Can cause severe injury. Pipe exhaust away from work area and personnel.

- In the event of a diaphragm rupture, material can be forced out of the air exhaust muffler.
- Pipe the exhaust to a safe remote location when pumping hazardous or inflammable materials.
- Use a grounded 1/4" minimum i.d. hose between the pump and the muffler.

WARNING HAZARDOUS PRESSURE. Can result in serious injury or property damage. Do not service or clean pump, hoses or dispensing valve while the system is pressurized.

- Disconnect air supply line and relieve pressure from the system by opening dispensing valve or device and / or carefully and slowly loosening and removing outlet hose or piping from pump.

WARNING HAZARDOUS MATERIALS. Can cause serious injury or property damage. Do not attempt to return a pump to the factory or service center that contains hazardous material. Safe handling practices must comply with local and national laws and safety code requirements.

- Obtain Material Safety Data Sheets on all materials from the supplier for proper handling instructions.
- CAUTION** Verify the chemical compatibility of the pump wetted parts and the substance being pumped, flushed or recirculated. Chemical compatibility may change with temperature and concentration of the chemical(s) within the substances being pumped, flushed or circulated. For specific fluid compatibility, consult the chemical manufacturer.

CAUTION Maximum temperatures are based on mechanical stress only. Certain chemicals will significantly reduce maximum safe operating temperature. Consult the chemical manufacturer for chemical compatibility and temperature limits. Refer to PUMP DATA on page 1 of this manual.

CAUTION Be certain all operators of this equipment have been trained for safe working practices, understand it's limitations, and wear safety goggles / equipment when required.

CAUTION Do not use the pump for the structural support of the piping system. Be certain the system components are properly supported to prevent stress on the pump parts.

- Suction and discharge connections should be flexible connections (such as hose), not rigid piped, and should be compatible with the substance being pumped.

CAUTION Prevent unnecessary damage to the pump. Do not allow pump to operate when out of material for long periods of time.

- Disconnect air line from pump when system sits idle for long periods of time.

CAUTION Use only genuine ARO® replacement parts to assure compatible pressure rating and longest service life.

NOTICE Install the pump in the vertical position. The pump may not prime properly if the balls do not check by gravity upon start-up.

NOTICE RE-TORQUE ALL FASTENERS BEFORE OPERATION. Creep of housing and gasket materials may cause fasteners to loosen. Re-torque all fasteners to insure against fluid or air leakage.

NOTICE Replacement warning labels are available upon request: Static Spark" pn \ 93616-1, Diaphragm Rupture" pn \ 93122.

WARNING = Hazards or unsafe practices which could result in severe personal injury, death or substantial property damage.

CAUTION = Hazards or unsafe practices which could result in minor personal injury, product or property damage.

NOTICE = Important installation, operation or maintenance information.

GENERAL DESCRIPTION

The ARO diaphragm pump offers high volume delivery even at low air pressures, easy self priming and the ability to pump various viscosity materials. The pump is designed to correspond to the needs of the user by offering a variety of wetted parts configurations to handle almost any application.

Air operated double diaphragm pumps utilize a pressure differential in the air chambers to alternately create suction and positive fluid pressure in the fluid chambers. Flat checks insure a positive flow of fluid.

Pump cycling will begin as air pressure is applied and it will continue to pump and keep up with the demand. It will build and maintain line pressure and will stop cycling once maximum line pressure is reached (dispensing device closed) and will resume pumping as needed.

The Acetal material used in this pump contains stainless steel fibers. It's conductivity allows it to be connected to a suitable ground. A ground screw is provided for this.

AIR AND LUBE REQUIREMENTS

⚠ WARNING EXCESSIVE AIR PRESSURE. Can cause pump damage, personal injury or property damage.

- A filter capable of filtering out particles larger than 50 microns should be used on the air supply. In most applications there is no lubrication required other than the "O" ring lubricant which is applied during assembly or repair.
- The pump, when fitted with flex checks, can be rotated 360° to suit the application. It may be mounted upside down or on the wall with no effect on suction lift or operating efficiency. The filter and regulator need to be oriented in a normal vertical direction to function properly.
- If lubricated air is present, make sure that it is compatible with the "O" rings and seals in the air motor section of the pump.

INSTALLATION

- Apply PTFE tape or pipe sealant to threads upon assembly to prevent leakage.
- Secure the diaphragm pump legs to a suitable surface to insure against damage by vibration.
- When the diaphragm pump is used in a forced-feed (flooded inlet) situation, it is recommended that a "Check Valve" be installed at the air inlet.

OPERATING INSTRUCTIONS

- Always flush the pump with a solvent compatible with the material being pumped if the material being pumped is subject to "setting up" when not in use for a period of time.
- Disconnect the air supply from the pump if it is to be inactive for a few hours.
- The outlet material volume is governed not only by the air supply, but also by the material supply available at the inlet. The material supply tubing should not be too small or restrictive. Be sure not to use hose which might collapse.

MAINTENANCE

- This product is not intended to be repairable. However, some service items are available.
- Provide a clean work surface to protect sensitive internal moving parts from contamination from dirt and foreign matter during service disassembly and reassembly.
- Keep good records of service activity and include the pump in preventive maintenance program.
- At the end of its service life, please dispose of pump and contents properly.

PARTS LIST / PX01X-XXX-XXX-AXXX

COMMON PARTS

| PX01X-XXX-XXX-AXXX | | | | |
|--------------------|-------------------------------|-------|------|----------|
| Item | Description | [Mtl] | Qty | Part no |
| 1 | Rod Assembly (includes seals) | --- | [1] | 24028284 |
| 5 | Washer, Diaphragm | [P] | [2] | 23981541 |
| 77 | Plate | --- | [2] | 93264 |
| 206 | Caution Label | --- | [1] | 93122 |
| 207 | Warning Label | --- | [1] | 93616-1 |
| 26 | Screw | [SS] | [32] | 23981574 |

MATERIAL CODE

| | |
|------|----------------------------|
| [B] | = Nitrile |
| [Co] | = Copper |
| [D] | = Acetal |
| [E] | = E.P.R. / EPDM |
| [G] | = Nitrile |
| [GP] | = Groundable Polypropylene |
| [H] | = Hytrel |
| [K] | = Kynar PVDF |
| [N] | = Neoprene |
| [P] | = Polypropylene |
| [Sp] | = Santoprene |
| [SS] | = Stainless Steel |
| [T] | = PTFE |
| [U] | = Polyurethane |
| [V] | = Viton |

FLUID CONNECTION

| PX01X-XXX-XXX-AXXX | | | | | | | | | | |
|--------------------|-----------------|-----------|-------|-----|-----------|-------|-----|-----------|-------|-----|
| | | PX01X-HDS | | | PX01X-HKS | | | PX01X-HPS | | |
| Item | Description | Part no | [Mtl] | Qty | Part no | [Mtl] | Qty | Part no | [Mtl] | Qty |
| 6 | Diaphragm Screw | 93810-2 | [D] | (2) | 93810-3 | [K] | (2) | 93810-1 | [P] | (2) |
| 15 | Fluid Cap | 23981640 | [D] | (2) | 23981657 | [K] | (2) | 23981632 | [P] | (2) |
| 60 | Inlet Manifold | 23981681 | [D] | (1) | 23981699 | [K] | (1) | 23981673 | [P] | (1) |
| 61 | Outlet Manifold | 23981723 | [D] | (1) | 23981731 | [K] | (1) | 23981715 | [P] | (1) |
| 43 | Ground Lug | 93004 | [Co] | (1) | --- | | | --- | | |

SEAT OPTIONS

PX01X-XXX-XXX-AXXX

| "21" | | | |
|----------|---------|-----|-------|
| -XXX | Seat | Qty | [Mtl] |
| -DXX | 96580-2 | (4) | [D] |
| -KXX | 96580-3 | (4) | [K] |
| -PXX | 96580-1 | (4) | [P] |
| -HPS-0XX | 96745 | (4) | [P] |
| -HKS-2XX | 96745-1 | (4) | [K] |
| -HDS-1XX | 96745-2 | (4) | [D] |

BALL / FLEX CHECK OPTIONS

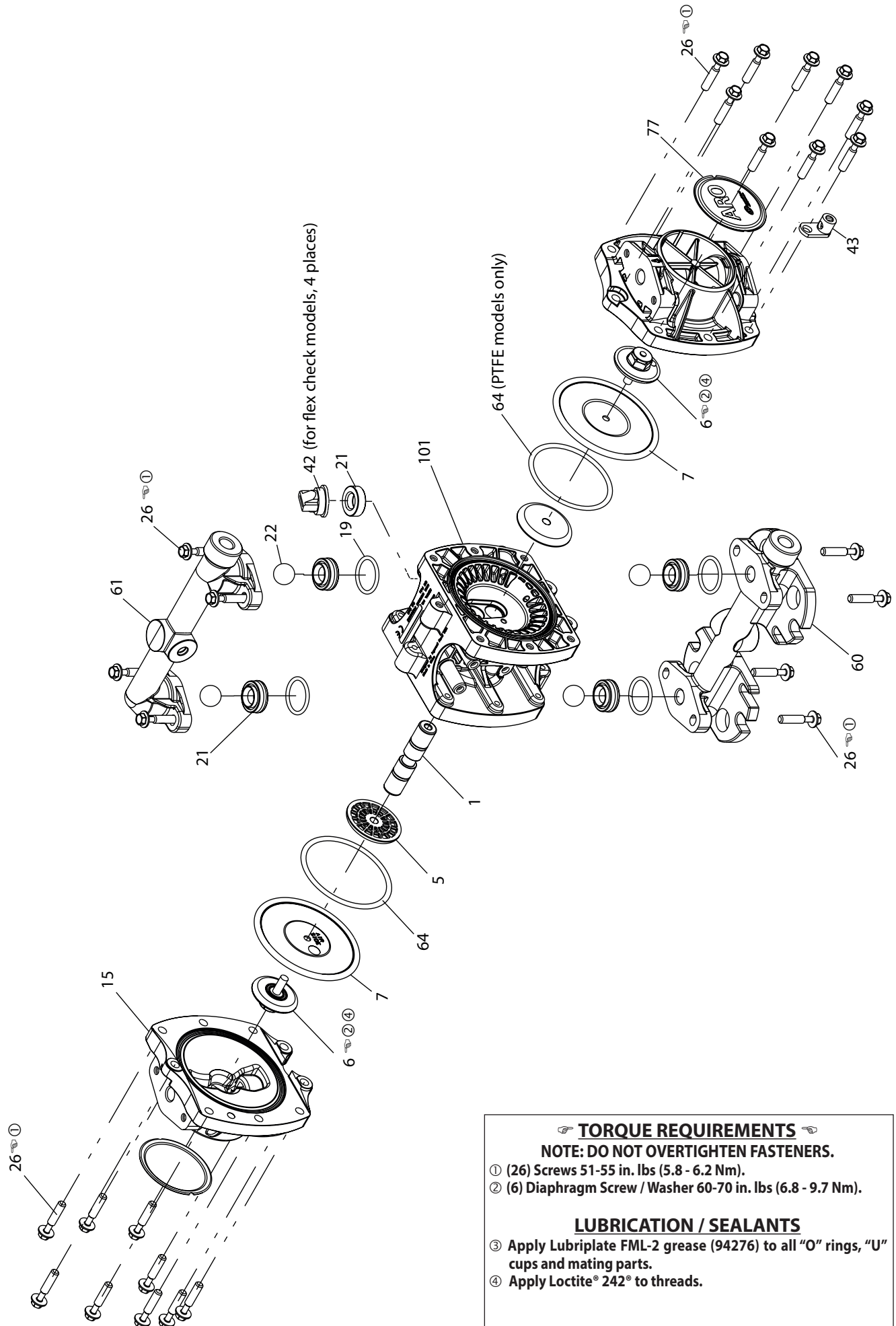
PX01X-XXX-XXX-AXXX

| "22" (5/8" o.d) | | | | "42" | | | |
|-----------------|---------|-----|-------|------|------------|-----|-------|
| -XXX | Ball | Qty | [Mtl] | -XXX | FLEX CHECK | Qty | [Mtl] |
| -XAX | 96481-A | (4) | [Sp] | -XJX | 96744-2 | (4) | [B] |
| -XCX | 96481-C | (4) | [H] | -XNX | 96744-3 | (4) | [N] |
| -XGX | 96481-G | (4) | [B] | -XLX | 96744-4 | (4) | [V] |
| -XTX | 96481-4 | (4) | [T] | -XKX | 96744-1 | (4) | [E] |

DIAPHRAGM OPTIONS PX01X-XXX-XXX-AXXX

| -XXX | "7" | | | "19" | | | "64" | | |
|------|-----------|-----|------|----------|-----|-----|----------|-----|-----|
| | Diaphragm | Qty | Mtl | Seal | Qty | Mtl | "O" Ring | Qty | Mtl |
| -XXA | 93808 | (2) | [Sp] | 93761 | (4) | [E] | ----- | --- | --- |
| -XXC | 93808-C | (2) | [H] | Y325-119 | (4) | [B] | ----- | --- | --- |
| -XXG | 93808-G | (2) | [B] | Y325-119 | (4) | [B] | ----- | --- | --- |
| -XXT | 93898 | (2) | [T] | 96514 | (4) | [T] | 93947 | --- | [B] |

Note: Item (19) O-ring is not used with Flex Check Options.



TORQUE REQUIREMENTS

NOTE: DO NOT OVERTIGHTEN FASTENERS.

① (26) Screws 51-55 in. lbs (5.8 - 6.2 Nm).
 ② (6) Diaphragm Screw / Washer 60-70 in. lbs (6.8 - 9.7 Nm).

LUBRICATION / SEALANTS

③ Apply Lubriplate FML-2 grease (94276) to all "O" rings, "U" cups and mating parts.
 ④ Apply Loctite® 242® to threads.

PARTS LIST / PX01X-XXX-XXX-AXXX

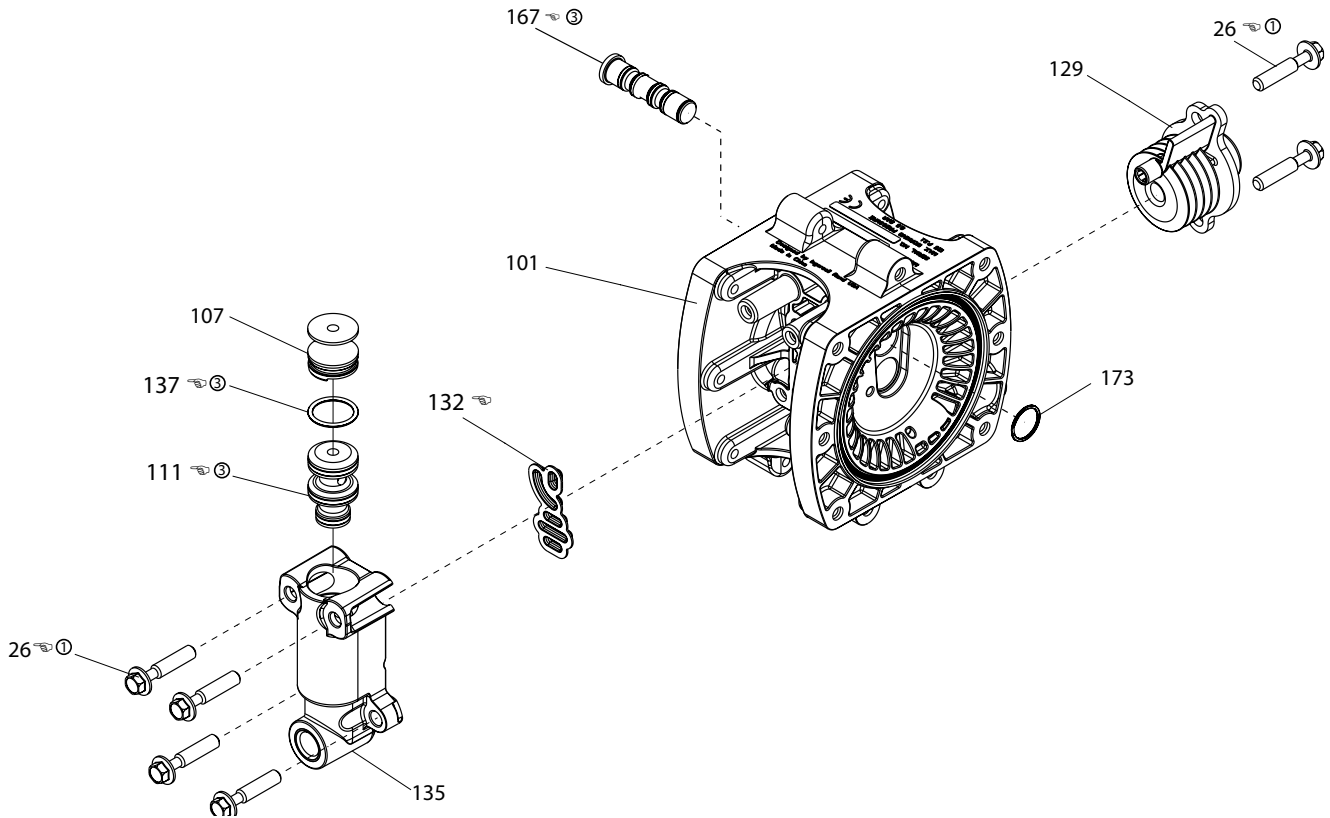
AIR SECTION PARTS

| Item | Description | Part no | Qty | [Mtl] |
|------|---|----------|-----|-------|
| 101 | Center Body | | | |
| | (PD01X) | 23981392 | (1) | [P] |
| | (All PE01X without Diaphragm Failure Detection) | 23981392 | (1) | [P] |
| | (PE01X With Diaphragm Failure Detection) | 23981608 | (1) | [P] |
| | (PD01E and PE01E) (not available with Diaphragm Failure Detection) | 24243354 | (1) | [GP] |
| 107 | Valve Block Plug | | | |
| | (PD01X, PE01X-XXX-XXX-X0XXX) | 23981434 | (1) | [P] |
| | (All PE01X with Solenoid) | 23981848 | (1) | [P] |
| 111 | Major Valve Spool Asm (includes seals) | | | |
| | (PD01X, PE01X-XXX-XXX-X0XXX) | 24028268 | (1) | [D] |
| | (All PE01X with Solenoid) | 24086779 | (1) | [D] |
| 129 | Muffler Baffle | | | |
| | (PD01X, PE01X-XXX-XXX-X0XXX) | 23981475 | (1) | [P] |
| | (PE01X-XXX-XXX-XXNXX) | 24110926 | (1) | [P] |
| | (PE01X-XXX-XXX-XXPXX) | 24110926 | (1) | [P] |
| | (PE01X-XXX-XXX-XXEXX) | 24110934 | (1) | [P] |
| | (PE01X-XXX-XXX-XXFXX) | 24110934 | (1) | [P] |
| | (PE01X-XXX-XXX-XXLXX) | 23981475 | (1) | [P] |
| 132 | Gasket | 23981525 | (1) | [B] |
| 135 | Valve Block Assembly | | | |
| | (PD01X, PE01X-XXX-XXX-X0XXX) | 24243388 | (1) | [P] |
| | (All PE01X with Solenoid) | 24340275 | (1) | [P] |
| 137 | O-Ring (0.070 CS x 0.676 ID) | Y-325-17 | (1) | [B] |
| 167 | Pilot Valve Spool Assembly (includes seals) | 24028276 | (1) | [D] |
| 173 | O-Ring | 24243313 | (1) | [U] |
| 283 | Diaphragm Failure Detector | | | |
| | (PE01X-XXX-XXX-XXEXX) | 96270-1 | (2) | |
| | (PE01X-XXX-XXX-XXLXX) | 96270-1 | (2) | |
| | (PE01X-XXX-XXX-XXNXX) | 96270-1 | (2) | |

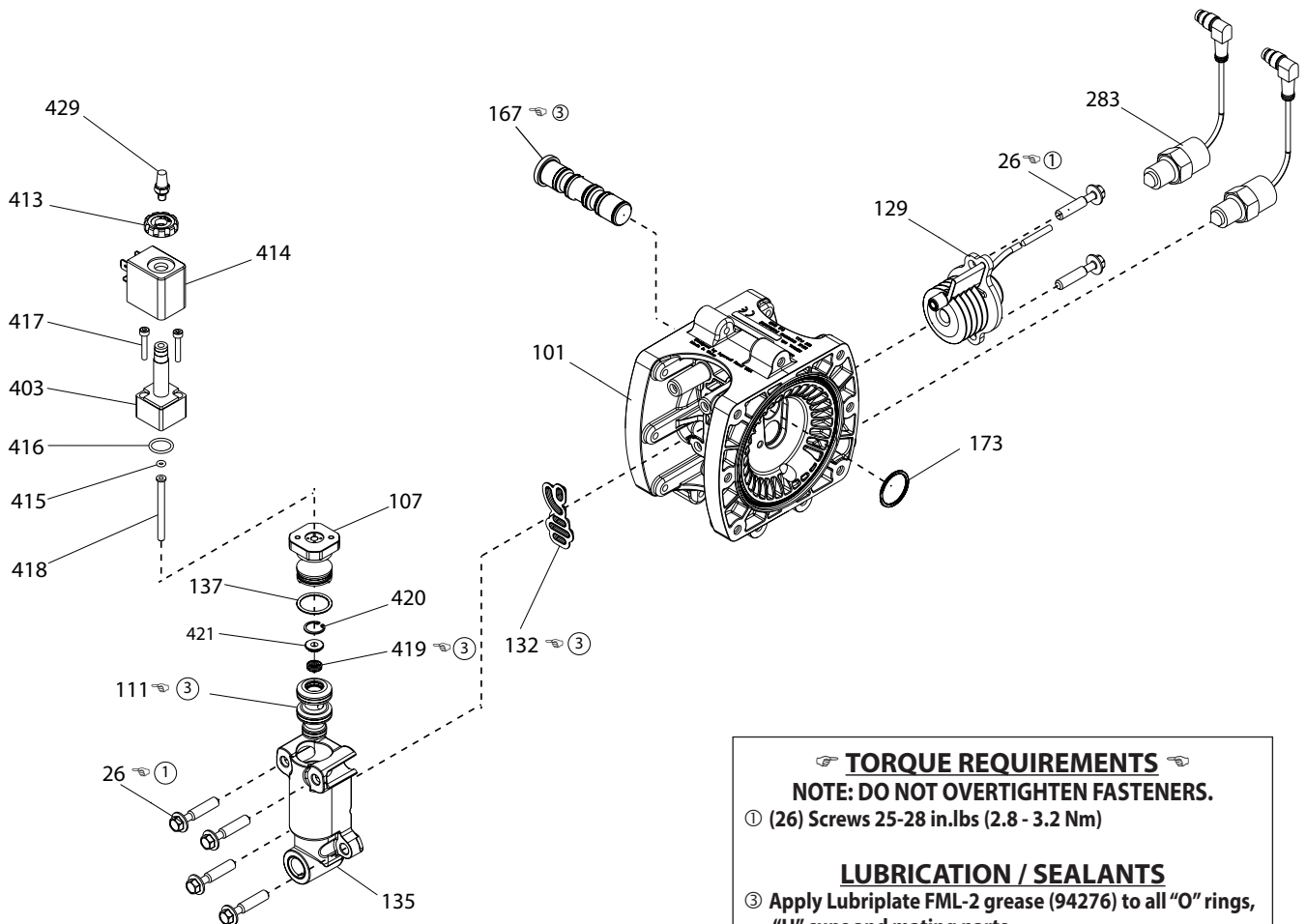
| Item | Description | Part no | Qty | [Mtl] |
|------|--|-----------|-----|-------|
| 403 | Valve (All PE01X with Solenoid) | 114102 | (1) | |
| 413 | Coil Nut (All PE01X with Solenoid) | 119380 | (1) | |
| 414 | Coil ,120 VAC (PE01X-XXX-XXX-XAXXX) | 116218-33 | (1) | |
| | Coil ,24 VAC , 12VDC (PE01X-XXX-XXX-XBXXX) | 116218-38 | (1) | |
| | Coil ,240 VAC (PE01X-XXX-XXX-XCXXX) | 116218-35 | (1) | |
| | Coil ,48 VAC, 24VDC (PE01X-XXX-XXX-XDXXX) | 116218-39 | (1) | |
| | Coil, ATEX, 12VDC (PE01X-XXX-XXX-XGXXX) | 117345-38 | (1) | |
| | Coil, ATEX, 24VDC (PE01X-XXX-XXX-XHXXX) | 117345-39 | (1) | |
| | Coil, ATEX, 220VAC (PE01X-XXX-XXX-XKXXX) | 117345-35 | (1) | |
| 415 | O-Ring (All PE01X with Solenoid) | 114103 | (1) | [B] |
| 416 | O-Ring (All PE01X with Solenoid) | 114104 | (1) | [B] |
| 417 | Screw (All PE01X with Solenoid) | 96728647 | (2) | |
| 418 | Tube (All PE01X with Solenoid) | 15309974 | (1) | [SS] |
| 419 | Seal (All PE01X with Solenoid) | 96957 | (1) | [B] |
| 420 | Snap Ring (All PE01X with Solenoid) | Y147-43 | (1) | |
| 421 | Retainer (All PE01X with Solenoid) | 96954 | (1) | [B] |
| 429 | Solenoid Muffler (All PE01X with Solenoid) | 116464 | (1) | |

PX01X-XXX-XXX-AXXX / AIR SECTION

PD01X-XXX-XXX-AXXX - Air Section



PE01X-XXX-XXX-AXXX- Air Section

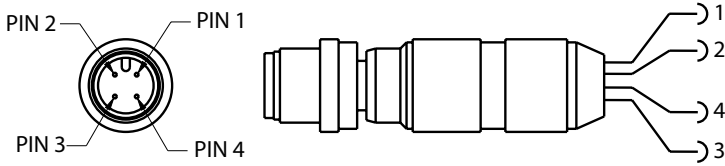


TORQUE REQUIREMENTS
NOTE: DO NOT OVERTIGHTEN FASTENERS.
 ① (26) Screws 25-28 in.lbs (2.8 - 3.2 Nm)

LUBRICATION / SEALANTS
 ③ Apply Lubriplate FML-2 grease (94276) to all "O" rings, "U" cups and mating parts.
 ④ Apply Loctite® 242® to threads.

PE01X OPTION WIRING DIAGRAMS

End of Stroke / Cycle Sensor Pinout, M12 Connector



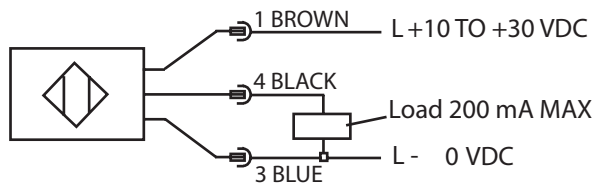
CABLE ASSEMBLY WIRING COLORS:

- PIN 1 - BROWN, POSITIVE VOLTAGE (+10 TO +30 VDC)
- PIN 2 - WHITE, NOT USED
- PIN 3 - BLUE, ZERO VOLTS
- PIN 4 - BLACK, SIGNAL

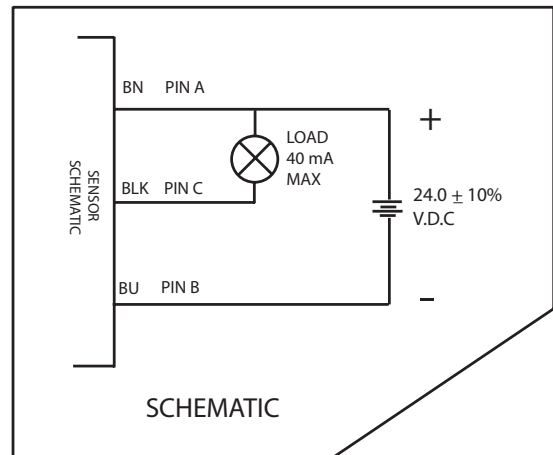
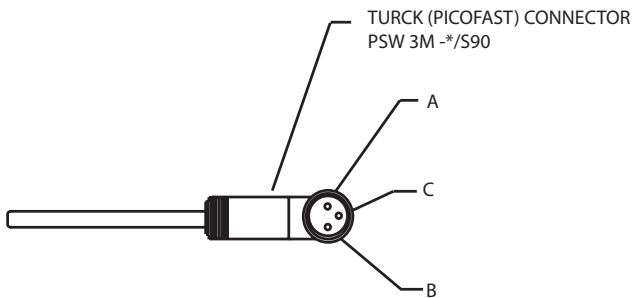
NOTE: WIRING COLORS ARE BASED ON AUTOMATION DIRECT CD12L AND CD12M 4-POLE CABLE ASSEMBLIES.

End of Stroke / Cycle Sensor Pinout Wiring Diagram (No Connector)

PNP Output



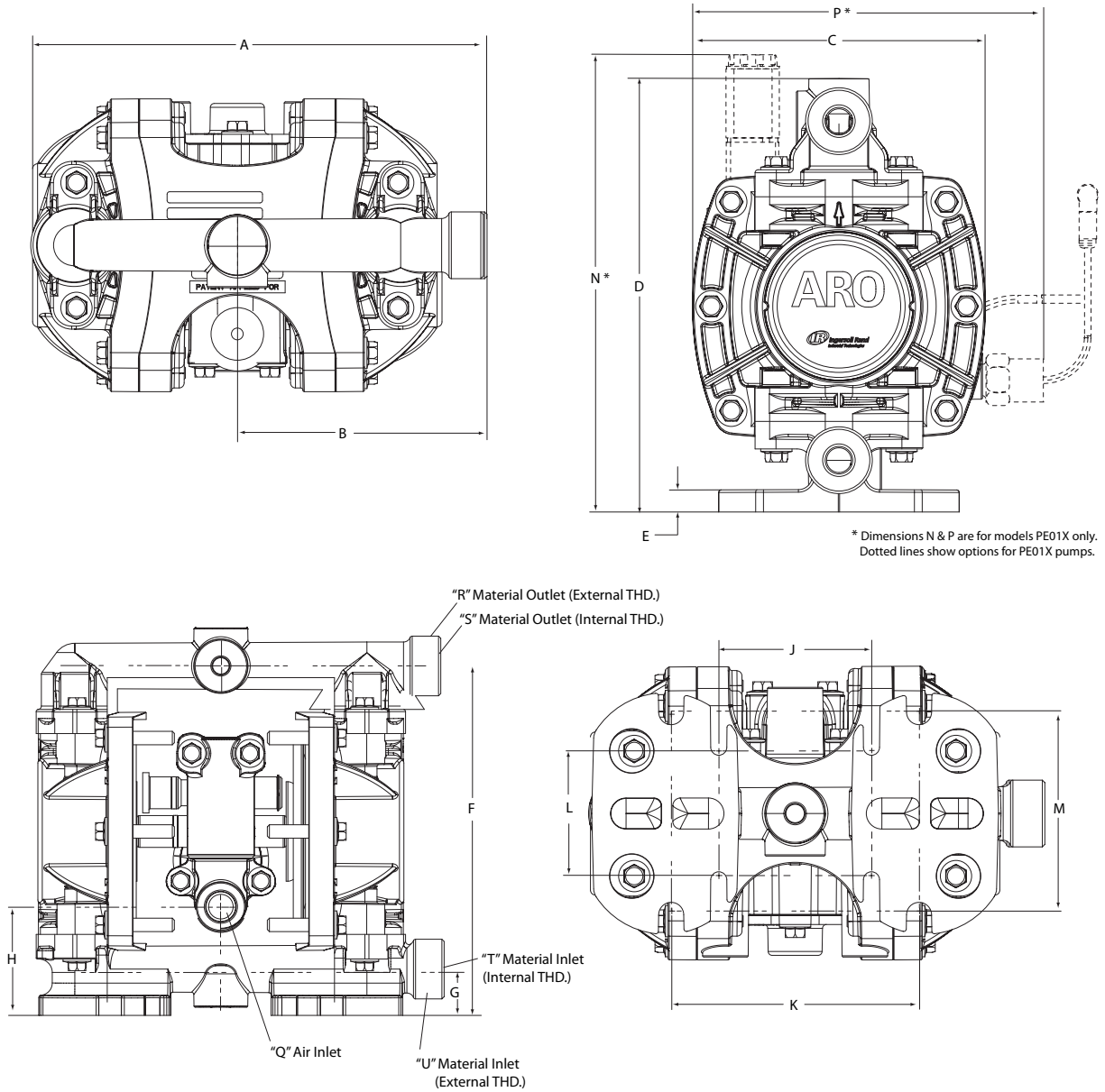
Diaphragm Failure Detector Wiring Diagram



| PINOUT | FUNCTION |
|--------|----------|
| A | + 24 VDC |
| B | 0 VDC |
| C | SIGNAL |

DIMENSIONAL DATA

Dimensions shown are for reference only, they are displayed in inches and millimeters (mm).



DIMENSIONS

| | | |
|---------------------|---------------------|----------------------------|
| A - 7.2" (182 mm) | H- 1.9" (48.6 mm) | Q - 1/4 - 18 PTF SAE Short |
| B - 3.9" (100.0 mm) | J - 2.4" (61 mm) | R- 3/4-14 NPTF |
| C - 4.6" (117.0 mm) | K - 3.9" (99 mm) | S - 1/4 NPTF / BSPT Hybrid |
| D- 6.8" (173.0 mm) | L - 2.1" (53 mm) | T - 1/4 NPTF / BSPT Hybrid |
| E- 0.3" (8.8 mm) | M - 3.2" (81 mm) | U- 3/4-14 NPTF |
| F- 6.1" (156 mm) | N - 7.2" (184 mm) | V- 1/4 NPTF |
| G- 0.8" (20.7 mm) | P - 5.6" (142.2 mm) | |